

## 应用

摩坦斯TS系列和TF系列发送罐被设计用来容纳一定体积的待输送物料，引入正压将物料推入到具有高输送压力的输送管线内，以达到更高的性能及输送能力。摩坦斯发送罐可用于处理具有自由流动性、磨蚀性、干燥的颗粒状或粉状物料。

摩坦斯发送罐能够输送：

- 矾土、氧化铝
- 钛白粉
- 硼砂
- PMMA、PC、TPU
- 高岭土、碳酸钙
- PVC及其混合料
- 石灰
- PTA、PVA、PET
- 飞灰
- PE、PP、PS
- 水泥
- ABS、POM
- 碳黑、焦炭、煤粉
- 其它各种树脂
- 铝粉
- 蔗糖
- 滑石粉
- 奶粉
- 石英砂、金属硅
- 面粉
- 纯碱
- 谷物
- 硫酸钠
- 其它



检修孔

标准法兰（国标、美标、欧标）

## 标准电控规格

信号电压 24VDC

## 设计

所有规格的发送罐底部都做成锥形来改善输送物料的排放及清除。全流通型出口设计消除了物料堆积，防止输送不同物料时造成交叉污染。

标准罐体工作压力可达 0.69MPaG [100PsiG]，并配有必需的阀门、出口管件、检修孔及喷嘴。康柏斯可以提供各种型号来满足大多数需求，标准容积可达 0.085~14.158 m<sup>3</sup> [3~500 ft<sup>3</sup>]，更大的容积也可根据设计需要进行制造。

## 重量

取决于不同型号（见后页表格）

## 操作温度

-10° C ~ +50° C [14° F to 122° F]

## 技术参数

### 标准机械规格

物料接触部为采用碳钢或不锈钢 SS304

表面打磨光洁

三个碳钢支腿

保护涂层

60°锥底（TS 系列）

45°锥底（TF 系列）

重载型气动进料阀、气动排气阀

可 360° 安装的出口

## 可选项

### 机械

其它材质如 SS321、SS316、SS316L

重载型气动出料阀

上引式出料

锥体流化装置

### 操作温度

350° C 或更高温度

### 危险区

ATEX II2G 2D 3G 3D / 1D (外部 / 内部)

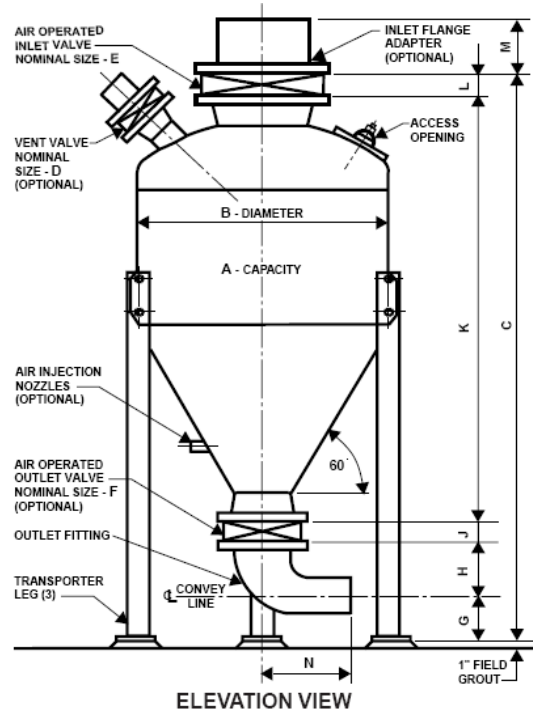
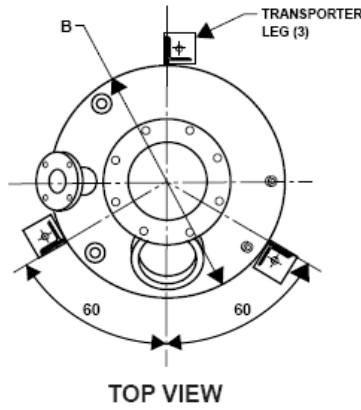
NEC Class I Div 1, 2 / Class II Div 1, 2

IEC Zone 1, 2, 21, 22

GB Zone 1, 2, 21, 22

规格尺寸

TS系列发送罐

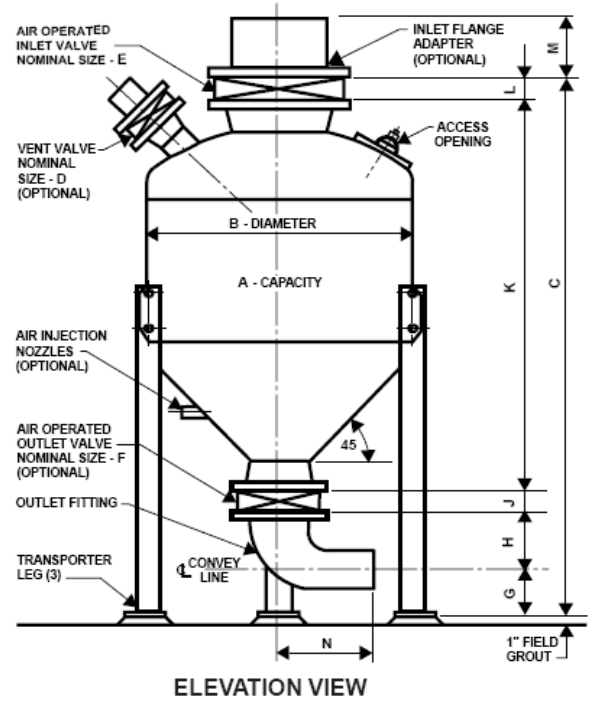
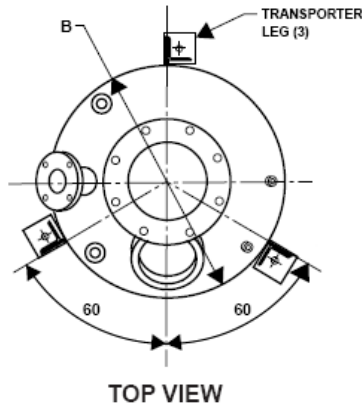


型号	容积	TS 系列发送罐尺寸 ( mm [inches] )												重量
		A	B	C	D	E	F	G	H	J	K	L	M	
8TS-30	85 L [3 ft <sup>3</sup> ]	610 [24]	1308 [51-1/2]	80 [3]	200 [8]	100 [4]	152 [6]	178 [7]	51 [2]	864 [34]	64 [2-1/2]	102 [4]	279 [11]	124kg [273 lbs]
8TS-50	142 L [5 ft <sup>3</sup> ]	610 [24]	1524 [60]	80 [3]	200 [8]	100 [4]	152 [6]	178 [7]	51 [2]	1080 [42-1/2]	64 [2-1/2]	102 [4]	279 [11]	145kg [319 lbs]
10TS-100	283 L [10 ft <sup>3</sup> ]	762 [30]	1807 [71-1/8]	80 [3]	250 [10]	150 [6]	152 [6]	241 [9-1/2]	54 [2-1/8]	1295 [51]	64 [2-1/2]	102 [4]	279 [11]	196kg [432 lbs]
10TS-200	566 L [20 ft <sup>3</sup> ]	1067 [42]	2061 [81-1/8]	80 [3]	250 [10]	150 [6]	152 [6]	241 [9-1/2]	54 [2-1/8]	1549 [61]	64 [2-1/2]	102 [4]	279 [11]	351kg [774 lbs]
10TS-300	850 L [30 ft <sup>3</sup> ]	1067 [42]	2413 [95]	80 [3]	250 [10]	200 [8]	152 [6]	279 [11]	64 [2-1/2]	1854 [73]	64 [2-1/2]	102 [4]	279 [11]	417 kg [919 lbs]
12TS-400	1133 L [40 ft <sup>3</sup> ]	1219 [48]	2629 [103-1/2]	80 [3]	300 [12]	200 [8]	178 [7]	305 [12]	64 [2-1/2]	2007 [79]	76 [3]	152 [6]	279 [11]	515 kg [1136 lbs]
12TS-500	1416 L [50 ft <sup>3</sup> ]	1219 [48]	2858 [112-1/2]	80 [3]	300 [12]	250 [10]	178 [7]	330 [13]	64 [2-1/2]	2210 [87]	76 [3]	152 [6]	279 [11]	560 kg [1235 lbs]
12TS-600	1699 L [60 ft <sup>3</sup> ]	1219 [48]	3137 [123-1/2]	80 [3]	300 [12]	250 [10]	203 [8]	381 [15]	64 [2-1/2]	2413 [95]	76 [3]	152 [6]	279 [11]	602 kg [1328 lbs]
12TS-700	1982 L [70 ft <sup>3</sup> ]	1219 [48]	3366 [132-1/2]	100 [4]	300 [12]	250 [10]	203 [8]	381 [15]	64 [2-1/2]	2642 [104]	76 [3]	152 [6]	279 [11]	646 kg [1424 lbs]
12TS-800	2265 L [80 ft <sup>3</sup> ]	1219 [48]	3620 [142-1/2]	100 [4]	300 [12]	250 [10]	203 [8]	381 [15]	64 [2-1/2]	2896 [114]	76 [3]	152 [6]	279 [11]	694 kg [1531 lbs]
12TS-900	2549 L [90 ft <sup>3</sup> ]	1219 [48]	3848 [151-1/2]	100 [4]	300 [12]	250 [10]	203 [8]	381 [15]	64 [2-1/2]	3124 [123]	76 [3]	152 [6]	279 [11]	738 kg [1627 lbs]
12TS-1000	2832 L [100 ft <sup>3</sup> ]	1219 [48]	4229 [166-1/2]	100 [4]	400 [16]	300 [12]	241 [9-1/2]	457 [18]	76 [3]	3353 [132]	102 [4]	152 [6]	358 [14]	876 kg [1931 lbs]
12TS-1500	4248 L [150 ft <sup>3</sup> ]	1524 [60]	4382 [172-1/2]	100 [4]	400 [16]	300 [12]	241 [9-1/2]	457 [18]	76 [3]	3505 [138]	102 [4]	152 [6]	358 [14]	1247 kg [2750 lbs]
12TS-2000	5663 L [200 ft <sup>3</sup> ]	1829 [72]	4509 [177-1/2]	150 [6]	500 [20]	300 [12]	241 [9-1/2]	457 [18]	76 [3]	3807 [142]	127 [5]	178 [7]	358 [14]	1747 kg [3852 lbs]
12TS-3000	8495 L [300 ft <sup>3</sup> ]	1981 [78]	5194 [204-1/2]	150 [6]	500 [20]	300 [12]	241 [9-1/2]	457 [18]	76 [3]	4293 [169]	127 [5]	178 [7]	358 [14]	2391 kg [5271 lbs]
12TS-4000	11327 L [400 ft <sup>3</sup> ]	1829 [72]	6617 [260-1/2]	150 [6]	500 [20]	300 [12]	241 [9-1/2]	457 [18]	76 [3]	5715 [225]	127 [5]	178 [7]	358 [14]	2656 kg [5856 lbs]
12TS-5000	14159 L [500 ft <sup>3</sup> ]	1981 [78]	7023 [276-1/2]	150 [6]	500 [20]	300 [12]	241 [9-1/2]	457 [18]	76 [3]	6121 [241]	127 [5]	178 [7]	358 [14]	3248 kg [7156 lbs]

注：关于该产品更多的信息，请您联系 斯销售代表进行咨询。

规格尺寸

TF系列发送罐



型号	容积	TF 系列发送罐尺寸 (mm [inches])												重量
		A	B	C	D	E	F	G	H	J	K	L	M	
8TF-30	85 L [3 ft <sup>3</sup> ]	610 [24]	1181 [46-1/2]	80 [3]	200 [8]	100 [4]	152 [6]	178 [7]	51 [2]	737 [29]	64 [2-1/2]	102 [4]	279 [11]	95 kg [210 lbs]
8TF-50	142 L [5 ft <sup>3</sup> ]	610 [24]	1365 [53-3/4]	80 [3]	200 [8]	100 [4]	152 [6]	178 [7]	51 [2]	921 [36-1/4]	64 [2-1/2]	102 [4]	279 [11]	118 kg [260 lbs]
10TF-100	283 L [10 ft <sup>3</sup> ]	762 [30]	1365 [65-5/16]	80 [3]	250 [10]	150 [6]	152 [6]	241 [9-1/2]	54 [2-1/8]	1148 [45-3/16]	64 [2-1/2]	102 [4]	279 [11]	181 kg [400 lbs]
10TF-200	566 L [20 ft <sup>3</sup> ]	1067 [42]	1816 [71-1/2]	80 [3]	250 [10]	150 [6]	152 [6]	241 [9-1/2]	54 [2-1/8]	1035 [51-3/8]	64 [2-1/2]	102 [4]	279 [11]	318 kg [700 lbs]
10TF-300	850 L [30 ft <sup>3</sup> ]	1067 [42]	2129 [83-13/16]	80 [3]	250 [10]	200 [8]	152 [6]	279 [11]	64 [2-1/2]	1570 [61-13/16]	64 [2-1/2]	102 [4]	279 [11]	374 kg [825 lbs]
12TF-400	1133 L [40 ft <sup>3</sup> ]	1219 [48]	2343 [92-1/4]	80 [3]	300 [12]	200 [8]	178 [7]	305 [12]	64 [2-1/2]	1721 [67-3/4]	76 [3]	152 [6]	279 [11]	499 kg [1100 lbs]
12TF-500	1416 L [50 ft <sup>3</sup> ]	1219 [48]	2589 [101-15/16]	80 [3]	300 [12]	250 [10]	178 [7]	330 [13]	64 [2-1/2]	1942 [76-7/16]	76 [3]	152 [6]	279 [11]	567 kg [1250 lbs]
12TF-600	1699 L [60 ft <sup>3</sup> ]	1219 [48]	2911 [114-5/8]	80 [3]	300 [12]	250 [10]	203 [8]	381 [15]	64 [2-1/2]	2188 [86-1/8]	76 [3]	152 [6]	279 [11]	624 kg [1375 lbs]
12TF-700	1982 L [70 ft <sup>3</sup> ]	1219 [48]	3153 [124-1/8]	100 [4]	300 [12]	250 [10]	203 [8]	381 [15]	64 [2-1/2]	2429 [95-5/8]	76 [3]	152 [6]	279 [11]	669 kg [1475 lbs]
12TF-800	2265 L [80 ft <sup>3</sup> ]	1219 [48]	3397 [133-3/4]	100 [4]	300 [12]	250 [10]	203 [8]	381 [15]	64 [2-1/2]	2673 [105-1/4]	76 [3]	152 [6]	279 [11]	714 kg [1575 lbs]
12TF-900	2549 L [90 ft <sup>3</sup> ]	1219 [48]	3639 [143-1/4]	100 [4]	300 [12]	250 [10]	203 [8]	381 [15]	64 [2-1/2]	2915 [114-3/4]	76 [3]	152 [6]	279 [11]	748 kg [1650 lbs]
12TF-1000	2832 L [100 ft <sup>3</sup> ]	1219 [48]	4035 [158-7/8]	100 [4]	400 [16]	300 [12]	241 [9-1/2]	457 [18]	76 [3]	3159 [124-3/8]	102 [4]	152 [6]	358 [14]	828 kg [1825 lbs]
12TF-1500	4248 L [150 ft <sup>3</sup> ]	1524 [60]	4099 [161-3/8]	100 [4]	400 [16]	300 [12]	241 [9-1/2]	457 [18]	76 [3]	3223 [126-7/8]	102 [4]	152 [6]	358 [14]	1293 kg [2850 lbs]
12TF-2000	5663 L [200 ft <sup>3</sup> ]	1829 [72]	4128 [162-1/2]	150 [6]	500 [20]	300 [12]	241 [9-1/2]	457 [18]	76 [3]	3226 [127]	127 [5]	178 [7]	358 [14]	1928 kg [4250 lbs]
12TF-3000	8495 L [300 ft <sup>3</sup> ]	1981 [78]	4807 [189-1/4]	150 [6]	500 [20]	300 [12]	241 [9-1/2]	457 [18]	76 [3]	3905 [153-3/4]	127 [5]	178 [7]	358 [14]	2608 kg [5750 lbs]
12TF-4000	11327 L [400 ft <sup>3</sup> ]	1829 [72]	6299 [248]	150 [6]	500 [20]	300 [12]	241 [9-1/2]	457 [18]	76 [3]	5398 [212-1/2]	127 [5]	178 [7]	358 [14]	3515 kg [7750 lbs]
12TF-5000	14159 L [500 ft <sup>3</sup> ]	1981 [78]	6655 [262]	150 [6]	500 [20]	300 [12]	241 [9-1/2]	457 [18]	76 [3]	5753 [226-1/2]	127 [5]	178 [7]	358 [14]	3583 kg [7900 lbs]

注：关于该产品更多的信息，请您联系 斯销售代表进行咨询。